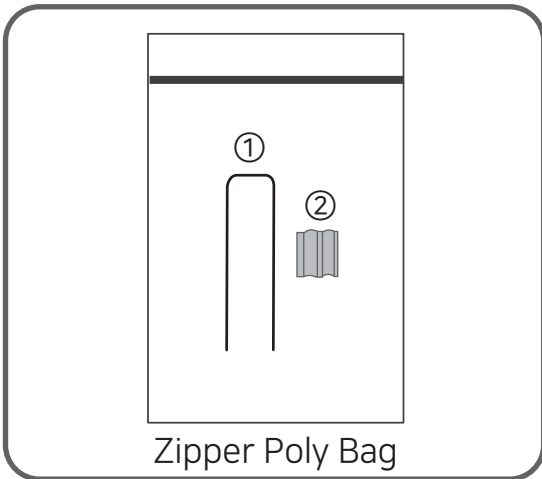
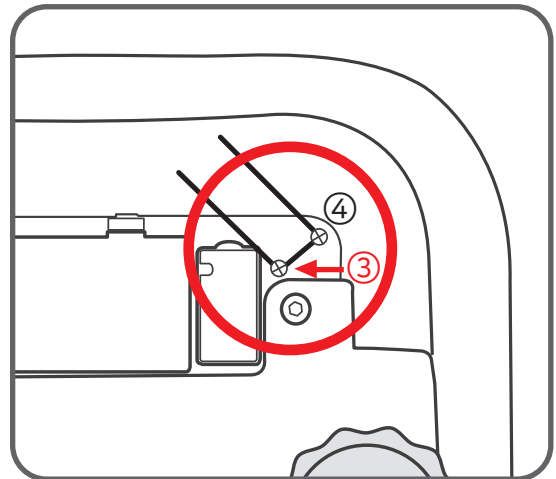


# HOW TO SEALING

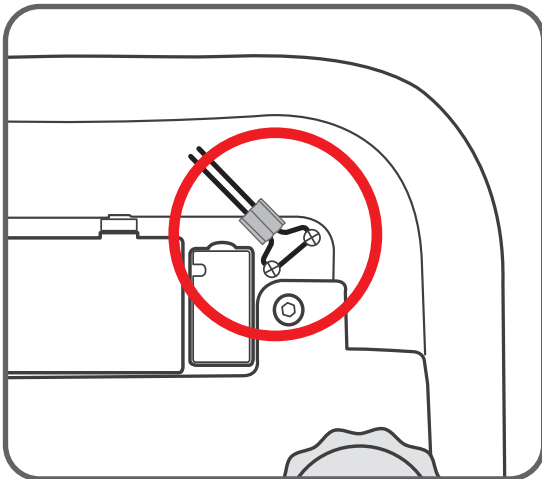


## Component

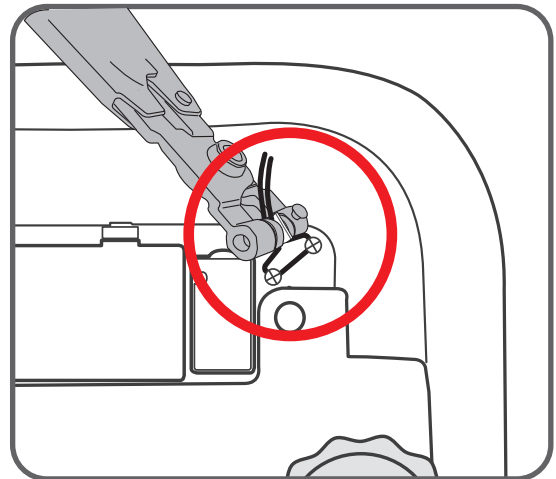
- ① Sealing Wire
- ② AI Sealing Bar



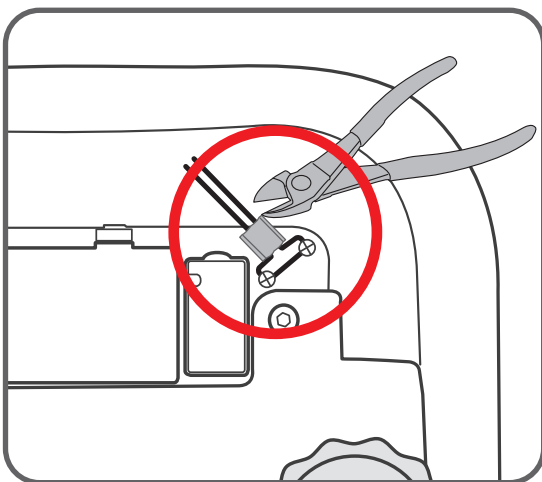
- 01 Input the Sealing Wire to the hole of Sealing Bolt ③ ④  
※ ③ CALIBRATION BOLT



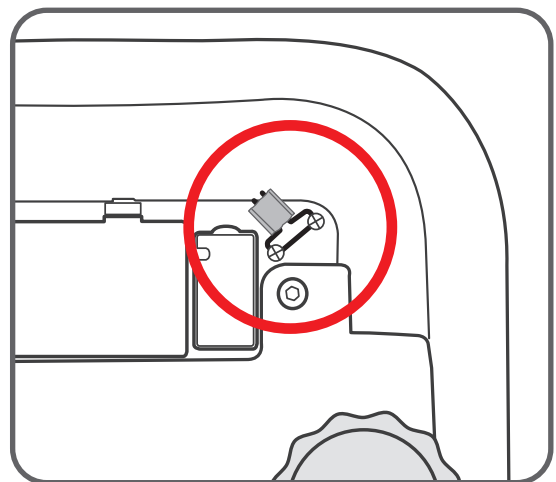
- 02 Input AI Sealing Bar to Sealing Wire



- 03 Press strongly AI Sealing bar with Sealing Wrench



- 04 Cut the edge side with Nipper after Pressing



- 05 Sealing completed.  
Be care on the edge side of wire  
Make it smooth to avoid damage